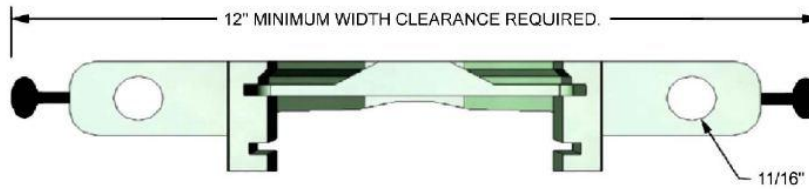
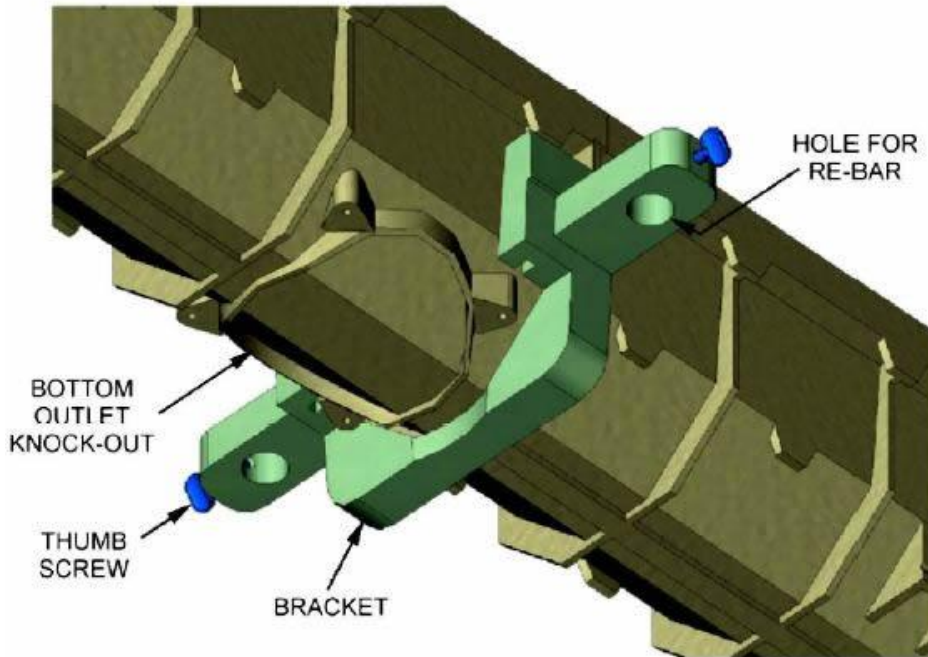
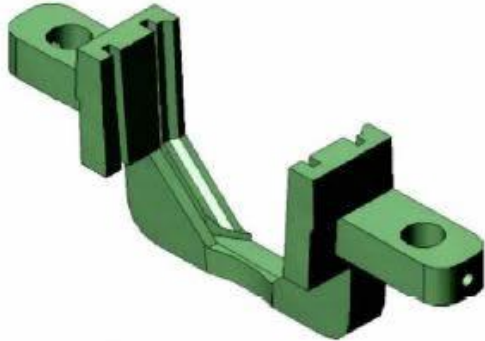


<p><b>Number</b></p> <p style="text-align: center;"><b>141100</b></p>	<p><b>Series</b></p> <p style="text-align: center;"><b>141100</b></p> <p style="text-align: center;">Mearin 100 Installation Bracket CPS303 Series</p>
---	--



**Manufacturer**



**Specification**

MEA 141100 PVC CHANNEL WITH THUMB SCREWS FOR SECURING UP TO 5/8+DIAMETER REBAR OR SIMILAR SUPPORT ROD UP TO 5/8+DIAMETER, SUPPLIED BY TRENCH DRAIN SUPPLY.

DISCLAIMER - The customer and the customer's architects, engineers, consultants, and other professionals are completely responsible for the selection installation and maintenance of any product purchased from Trench Drain Supply and/or its manufacturers. TRENCH DRAIN SUPPLY MAKES NO WARRANTY, EXPRESS OR IMPLIED, AS TO THE SUITABILITY, DESIGN, MERCHANTABILITY, OR FITNESS OF THE PRODUCT FOR CUSTOMERS APPLICATION. The drawing and information provided remain the property and copyright of the manufacturer listed. The manufacturer reserves the right to modify specification without notice.